

Thank you for purchasing the **Heavy Duty King Pin Tripod**. It was a wise purchase, and we are sure it will provide you with many years of service.

### Assembly Instructions

Most of the assembly has been completed for you; however you will need to attach the footpads (clip assembly provided) and chain.

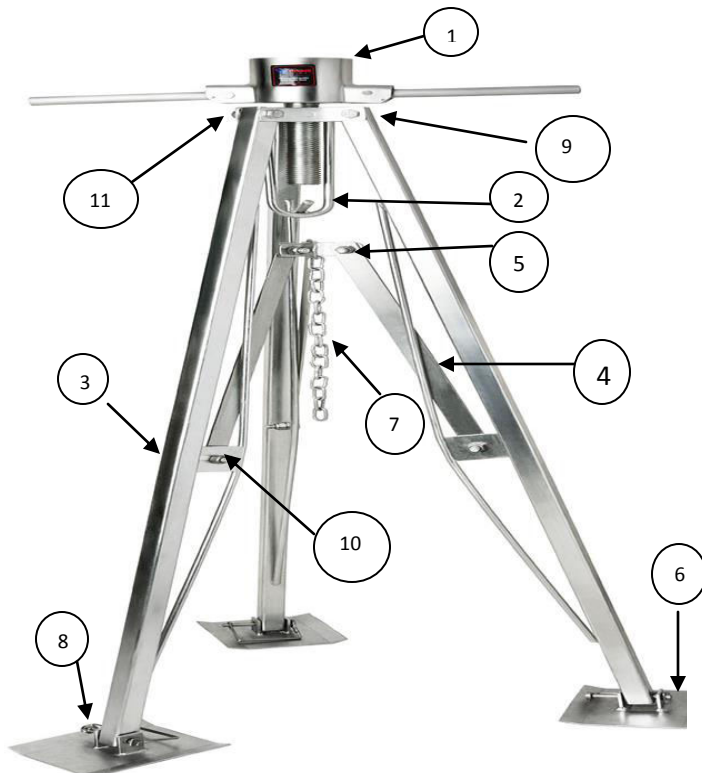
### How to Use

#### To use your Tripod:

- 1) Hold the chain (7) in one hand, and position the tripod below the king pin of your coach.
- 2) Pull the chain and lift the cup (1) up over the king pin.
- 3) Hook the chain link over the pin welded to the leg bracket (2).
- 4) Turn the handle of the cup counter clockwise until the cup is snug against the king pin.
- 5) Two or three additional turns are normally sufficient for stabilization.
- 6) Your tripod is adjustable from 42" to 50".
- 7) Your tripod will support up to 5,000 pounds.

#### To lock:

- 1) Place the lock (9) through the two holes in cup and lock. The neck of the lock has enough interference in the cup so that the king pin cannot be removed. **Your tripod is now stable and secure.**



.#	PART #	DESCRIPTION	QTY REQ
1	18225-01	KING PIN CUP ASS.	2
2	18225-06	LEG BRACKET	
3	18225-01	LEG	
4	18225-04	ARM	
5	18225-07	CONNECTING BRACKET	
6	18225-03	FOOTPAD	
7	18225-11	CHAIN	
8	18225-12	CLIP ASSEMBLY	
9	18225-08	BOLT-3/8-16X2" HEX	
10	18225-09	BOLT-3/8-16X1" HEX	
11	18225-10	NUT-3/8-16 NYLOCK	



**The tripod is not a jack!**

It is NOT made to support the weight of the trailer. It is a stabilizer designed to reduce or eliminate the vibrations and motion that travels through the frame.



**PRIME STEELS INC.**

## **LIFETIME LIMITED WARRANTY**

**TIRE CARRIER, FOOT PADS, QUICK PINS, TRIPODS, QUICK SUPPORTS, CHOCK LOCKS, SCISSOR JACKS, STACKER JACKS, SPREED SOCKET, LOCKING CUP AND TONGUE JACK CASTER WHEEL AND FOOT PADS**

### **THE MANUFACTURER NAMED BELOW MAKES THE FOLLOWING WARRANTY WITH RESPECT TO THE ABOVE PRIME STEELS PRODUCTS**

1. The Warranty is made only to the first Purchase (hereinafter called the "Original Purchaser") who acquires this product for their own use.
2. This warranty will be in effect for the lifetime from the date of purchase by the Original Purchaser. It is suggested that the Original Purchase retain a copy of the dated bill of sale as proof of the date of purchase.
3. This warranty cover only specified parts which shall be free defects in material and workmanship under normal use. This warranty does not cover conditions unrelated to the material and workmanship of the product. Such unrelated conditions include, but are not limited to (a) faulty installations and any damage resulting from such; (b) the need for normal maintenance and nay damage resulting from the failure to provide such maintenance; (c) failure to follow Manufacturer's instructions for use of this product, and (d) any accident to, or misuse of, any part of this product and any alteration by anyone other than the Manufacturer or its authorized representative.
4. In order to obtain the benefits of this Warranty, you should return the product which you find defective to the Manufacturer named below during the period that this Warranty is in effect. All change incurred in delivery of the product to the Manufacturer, and in picking it up after the warranty service has been completed, must be paid by the Original Purchaser.
5. Any item returned in the manner described in paragraph 4 will be examined by the Manufacturer. If it is found that the returned item was defective in material or workmanship, the Manufacturer will repair it without charge for material and labor.
6. Prime steels will pay freight on replacement parts during the first 90 days of ownership by the Original Purchaser.
7. The Manufacturer does not authorize any person or company to create any Warranty obligation or liability on their behalf.
8. IN NO EVENT SHALL THE MANUFACTURER BE LIABLE FOR INCIDENTAL OR CONSEQUENTIAL DAMAGES, SOME STATES DO NOT ALLOWTH EXCLUSION OR LIMITATION OF INCIDENTAL OR CONSEQUENTIAL DAMAGES SO THE ABOVE LIMINATION OR EXCLUSION MAY NOT APPLY TO YOU.
9. ANY IMPLIED WARRANTY, INCLUDING THE IMPLIED WARRANTY OF MERCHANTABILITY AND FITNESS FOR ANY PURPOSE, IS LIMITED TO THE DURATION OF THIS LIMITED WARRANTY. SOME STATES DO NOT ALLOW LIMITATIONS ON HOW LONG AN IMPLIED WARRANTY LASTS, SO THE ABOVE LIMITATION MAY NOT APPLY TO YOU.
10. THIS WARRANTY GIVES YOU SPECIFIC LEGAL RIGHTS, ANY YOU MAY ALSO HAVE OTHER RIGHTS WHICH VARY FROM STATE TO STATE.



**PRIME STEELS INC.**

**22503 KATY FWY, STE # 38, KATY, TX 77450**